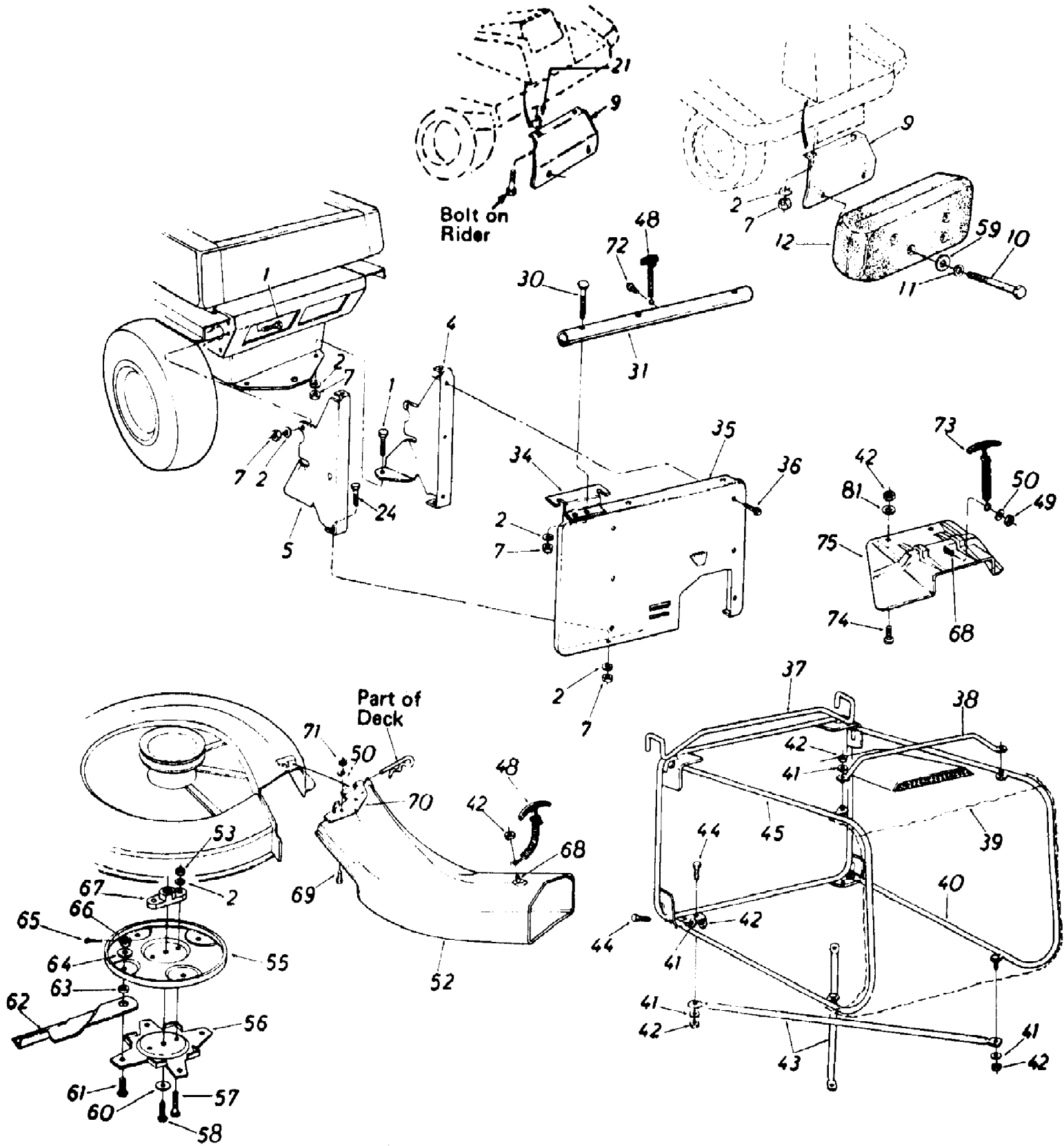


190-038-190 Rear Bag Grass Catcher (1991)
30" Rear Discharge Decks



190-038-190 Rear Bag Grass Catcher (1991)
30" Rear Discharge Decks

Page 2 of 2

Ref #	Part Number	Qty	S/P/F	Description
1	710-0376	1	/P	Hex Bolt 5/16-18 X 1" Lg.
2	736-0119	1	S	L-Wash. 5/16" I.D.
4	15970A	1	/P	Catcher Support Brkt.-R.H.
5	15971A	1		Catcher Support Brkt.-L.H.
7	712-0267	1	S	Hex Nut 5/16-18 Thd.
9	15539	1		Counterweight Support Brkt. Ass'y.
10	710-0693	1	/P	Hex Bolt 3/8-16 x 4.5" Lg.
11	736-0105	1	/P	Bell-Wash. .40" I.D. x .88" O.D.
12	723-0367	1		Counterweight 38 lbs.
21	711-0242	1	S	Spacer .380" I.D. x 1 O.D. x .32" Lg.
24	710-0442	1	S	Hex Bolt 5/16-18 x 1.5" Lg.
30	710-0405	1	S	Curved Carriage Bolt 5/16-18 x 1.75" Lg.
31	749-0659	1	S	Grass Catcher Support Tube
34	15995	1		Grass Catcher Support Plate
35	15923	1		Rear Discharge Panel
36	710-0599	1	/P	HexWash. Hd. Self-TapScr. 1/4-20 x .5" Lg.
37	15991	1	S	Grass Catcher Frame Ass'y.
38	749-0653	1	S	Grass Catcher Handle
39	764-0210	1	S	Grass Catcher Bag
40	15992	1	S	Catcher Side Frame Ass'y.-R.H.
41	736-0175	1	S	Spring-Wash. .27" I.D. x .57" O.D. x .025
42	712-0107	1	S	Hex L-Nut 1/2-20 Thd.
43	749-0651	1		Bottom Cross Brace
44	710-0258	1	S	Hex Bolt 1/4-20 x .62" Lg.
45	15993	1		Catcher Side Frame Ass'y.-L.H.
48	723-0296	1		HookLatch Ass'y.
49		1		UNKNOWN
50	736-0329	1	S	L-Wash. 1/4" I.D.
52	15920	1		R. D. Banana Chute Ass'y.
53	712-0123	1	/P	Hex Nut 5/16-24 Thd.
55	742-0265	1	S	Upper Blade Disc
56	742-0279	1	S	LowerBlade Disc
57	710-0888	1	/P	Hex Bolt 5/16-24 x 1.0" Lg. (Grade 5)
58	710-0152	1	S	Hex Bolt 3/8-24 x 1.0 Lg.
59	736-0280	1		FI-Wash. .39 I.D. x 1.12 O.D.
60	736-0356	1	S	Bell-Wash. .39H.D. x 1.38"
61	738-0587	1	S	Shld. Bolt .50" Dia. x .36" (Spec.)
62	742-0266	4		30" Blade Tip
63	750-0604	1		Spacer .505" I.D. x .75" O.D. x 1.25H Lg.
64	736-0179	1	S	FI-Wash. .5" I.D. x 1.25" O.D.
65	714-0111	1	S	Cotter Pin 8/32U Dia. x 1 Lg.
66	712-0114	1	S	Hex Slotted Nut 1/2-20Thd.
67	748-0300	1		Blade Adapter
68	710-0289	1	S	Hex Bolt 1/4-20 x .5" Lg.
69	710-0286	1	/P	Truss Mach. Scr. 1/4-20 x .5" Lg.
70	15921	1	S	Chute Mounting Brkt.
71	712-0287	1	S	Hex Nut 1/4-20 Thd.
72	710-0776	1	S	Hex AB-Tap Scr. 1/4 x .62" Lg.
73	723-0370	1	S	Hook Latch Ass'y.
74	710-0286	1	/P	Truss Mach. Scr. 1/4-20 x .50" Lg.
75	731-0721	1		R. D. Chute Extension
81	736-0142	1	S	FI-Wash. .281" I.D. x .50 O.D. x .063